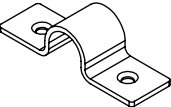

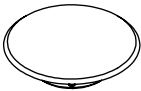
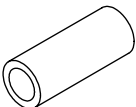
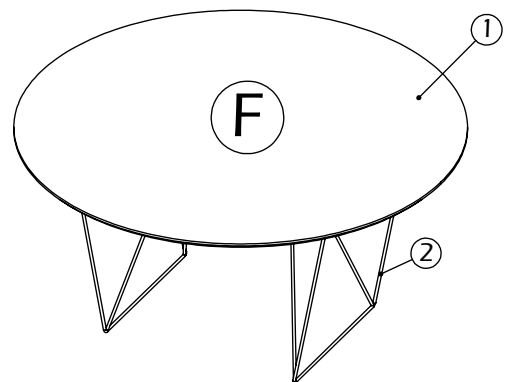
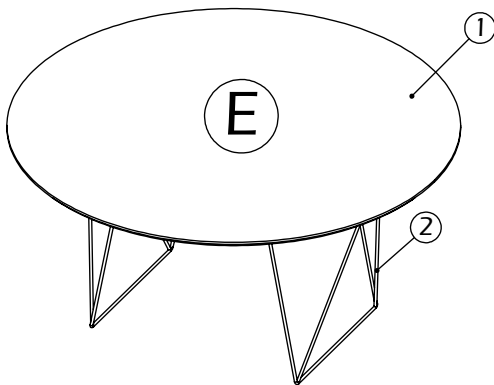
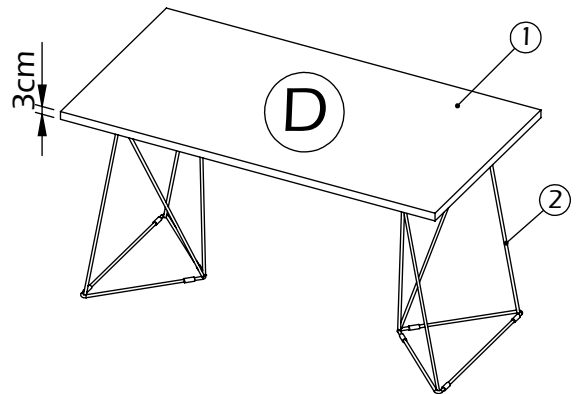
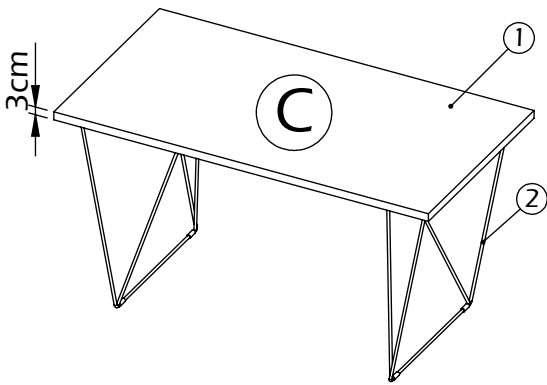
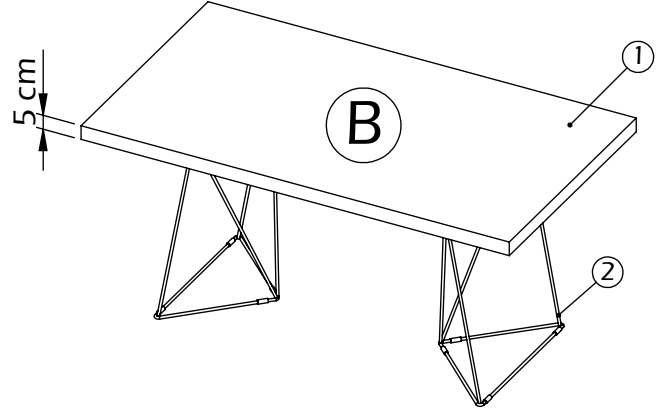
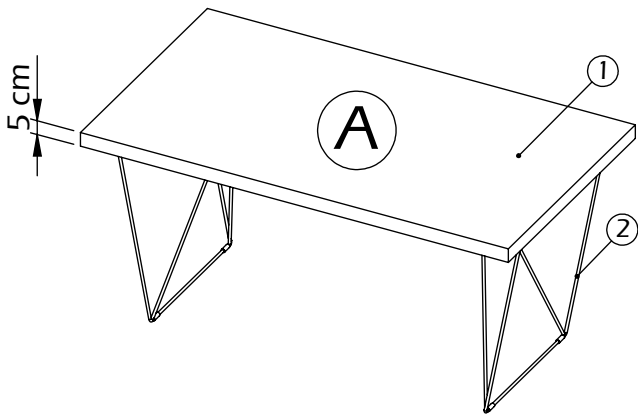


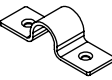


7200.280

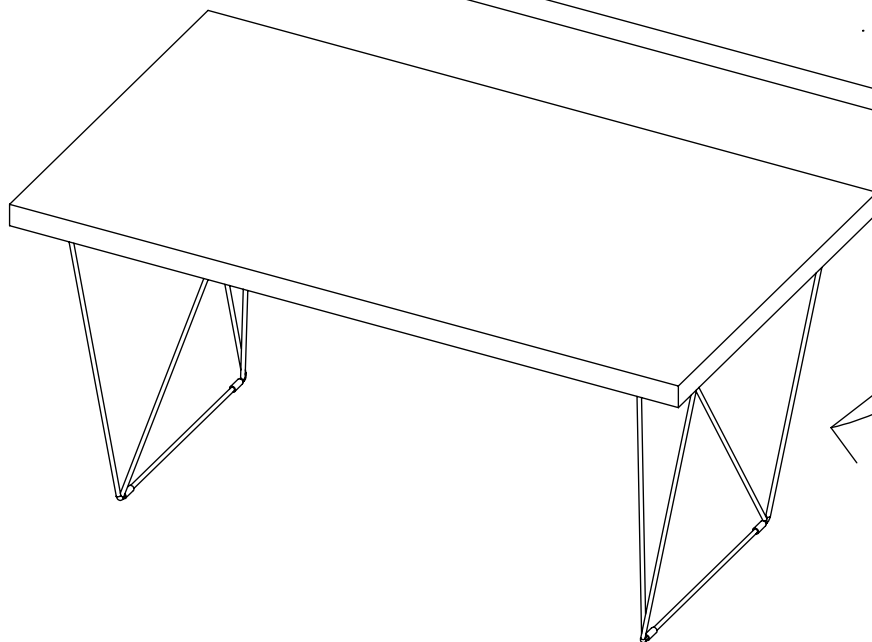
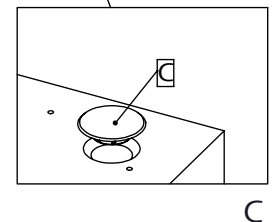
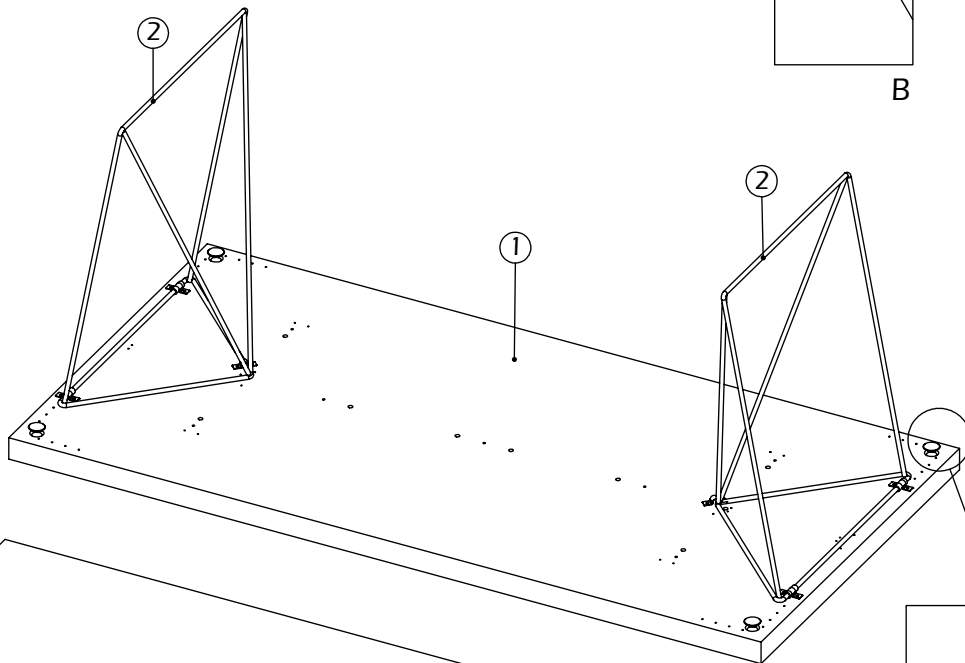
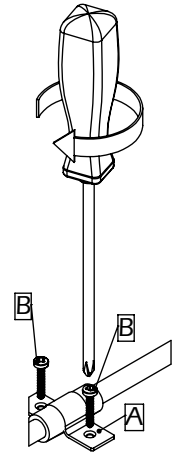
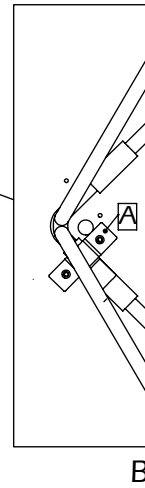
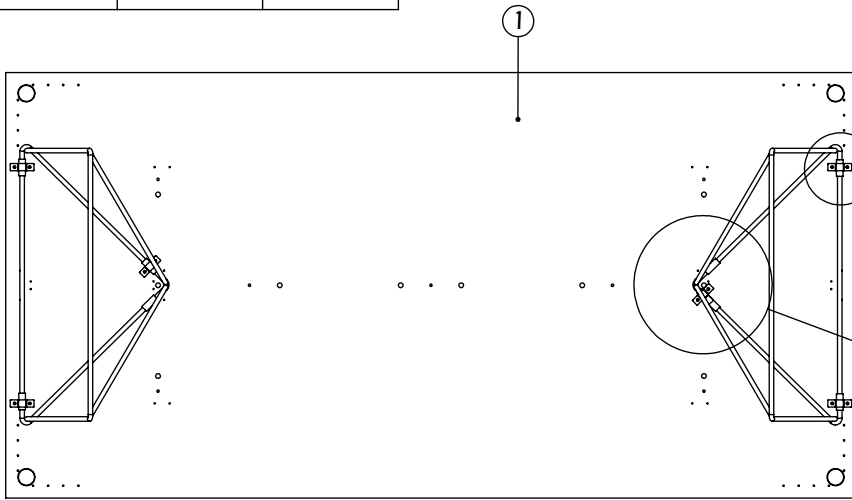
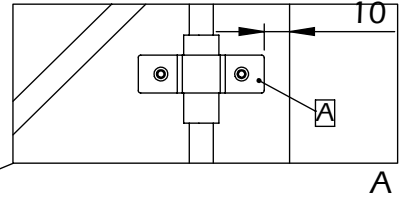
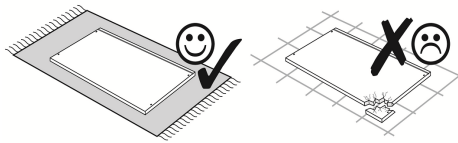
25kg

A - 6x	B - 12x	C - 4x	D - 12x
			
0519.006	0512.009	0520.155	0520.070



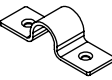


A

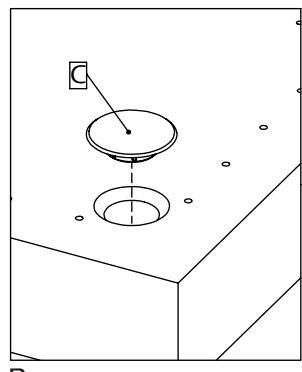
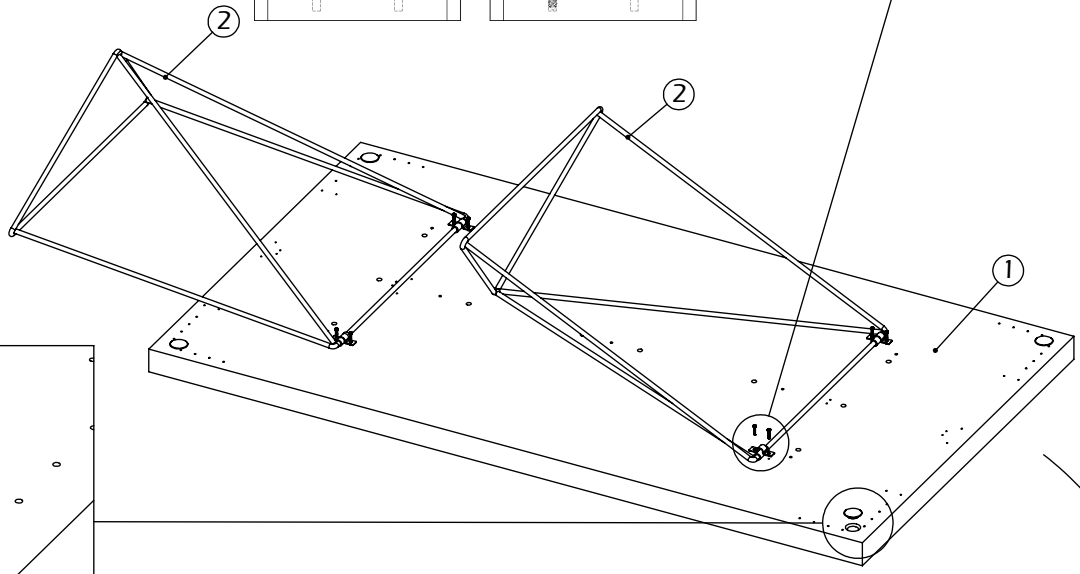
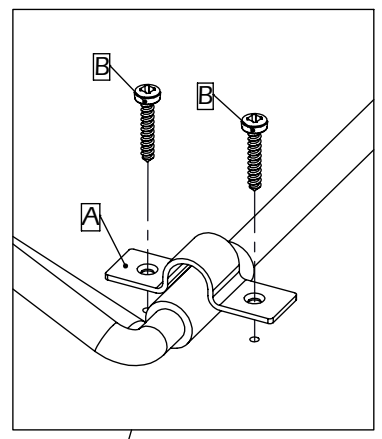
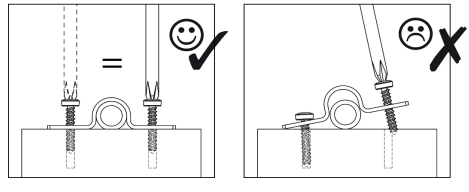
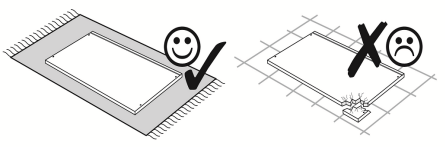
x6 	x12 	x8 
A-50x15x2	B-Ø3,5x20	C-Ø36x08



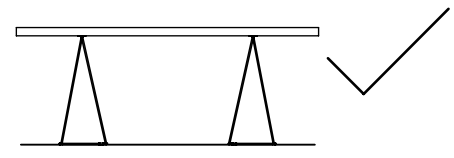
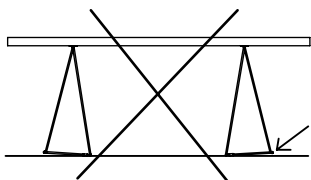
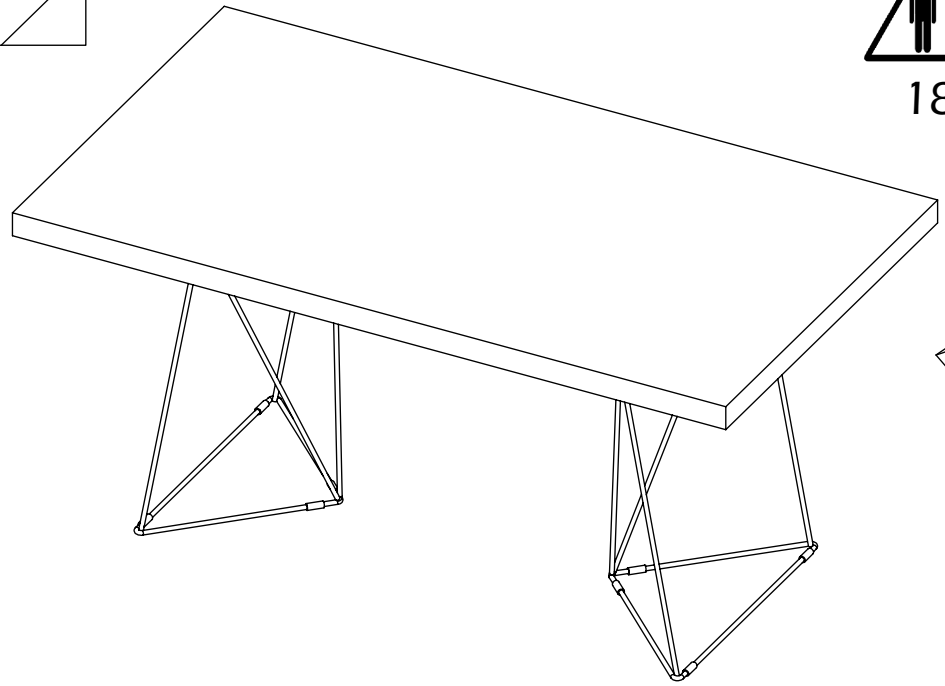
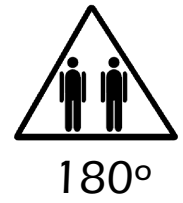
180°

B

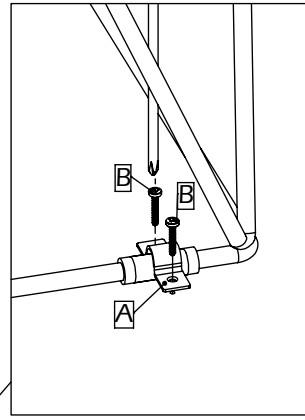
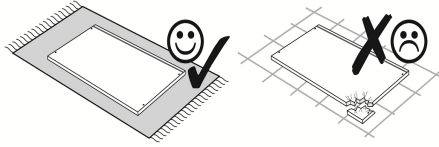
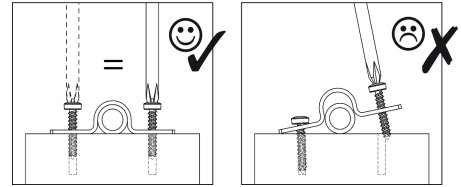
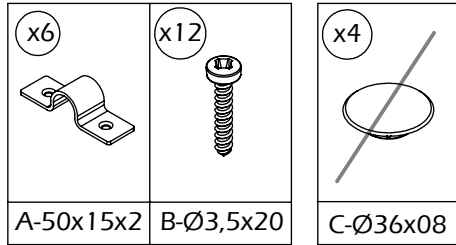
x4 	x8 	x4 
A-50x15x2	B-Ø3,5x20	C-Ø36x08



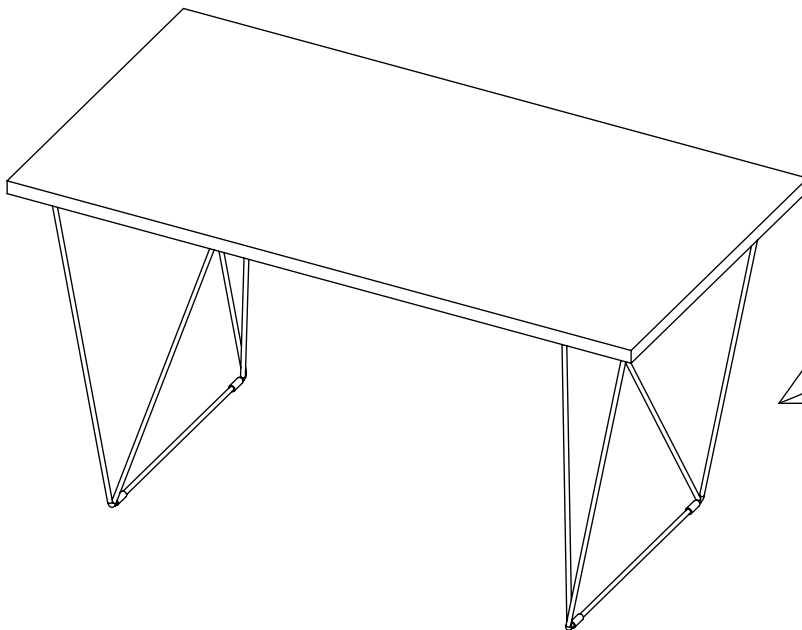
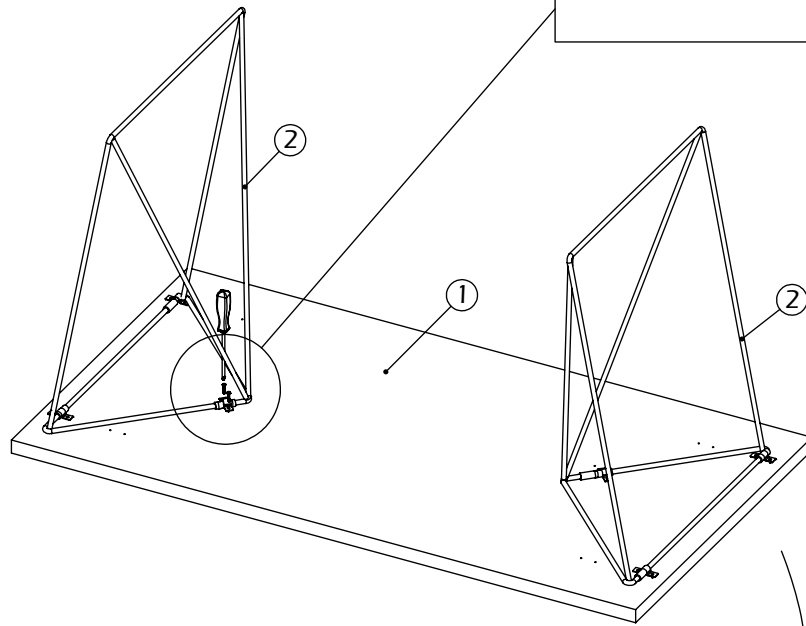
B



C

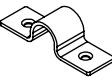




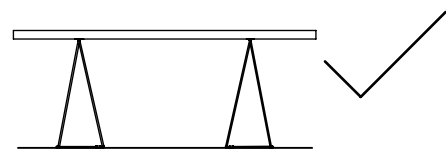
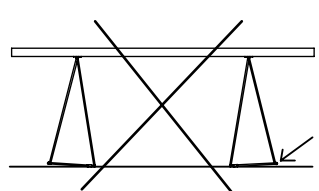
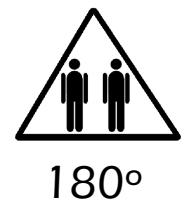
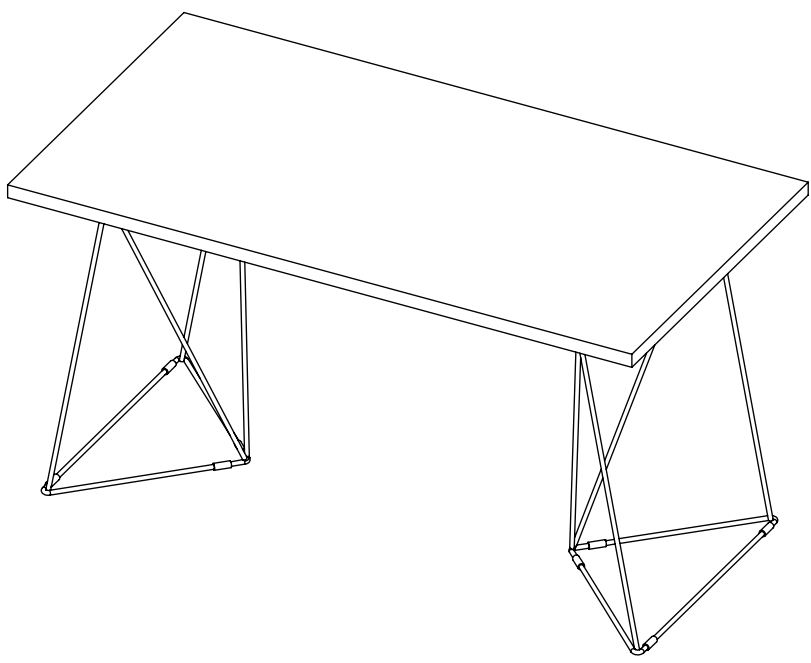
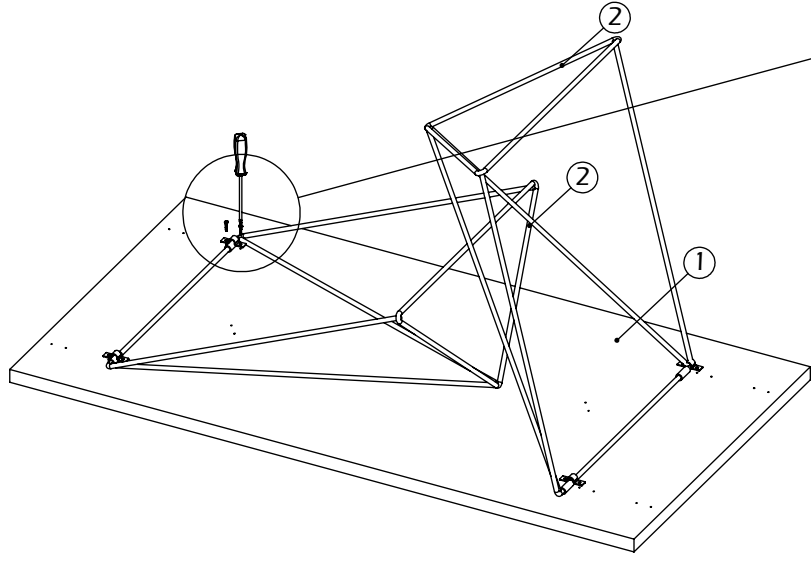
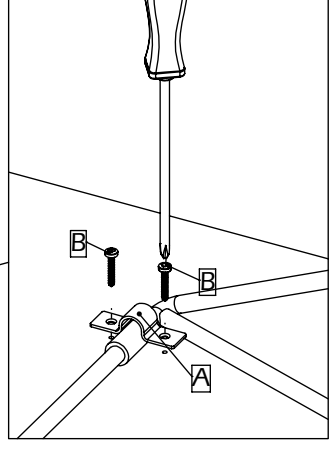
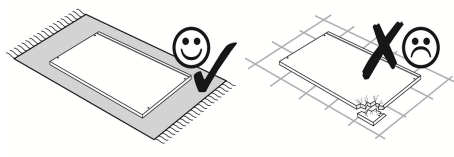
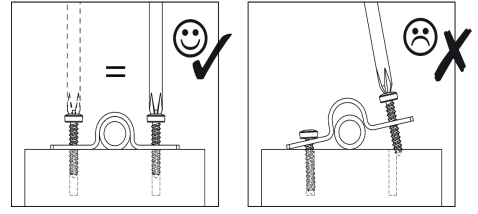
A



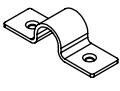

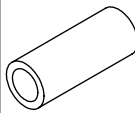
180°

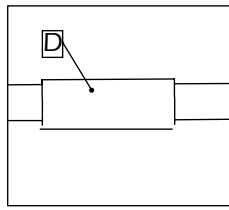
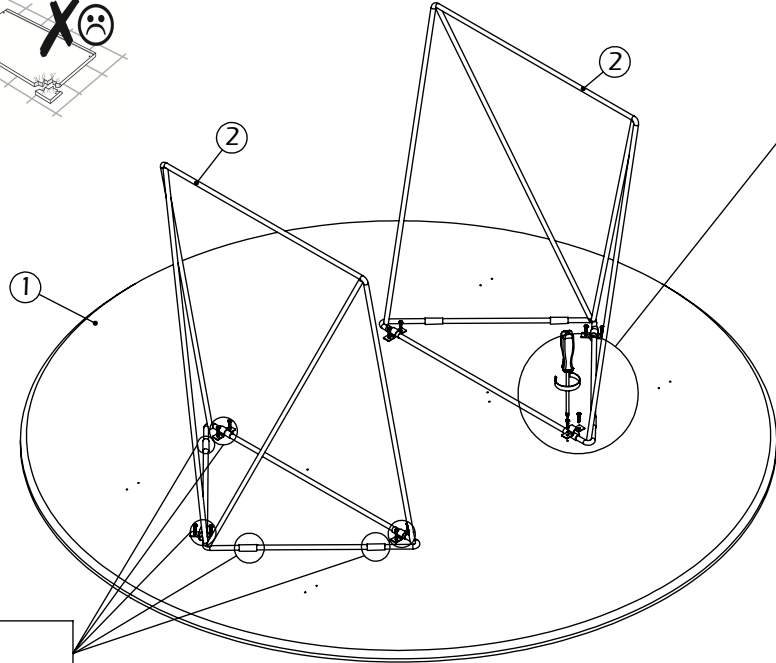
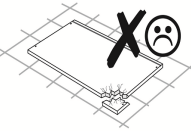
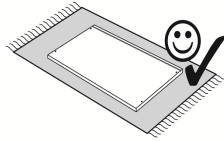
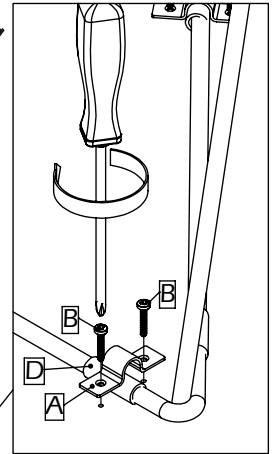
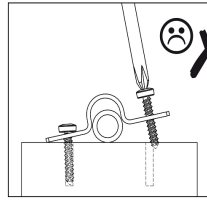
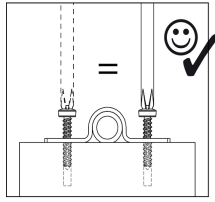
D

x4 	x8 	x4 
A-50x15x2	B-Ø3,5x20	C-Ø36x08



E

x6 	x12 	x12 
A-50x15x2	B-Ø3,5x20	D-Ø14x35



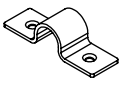

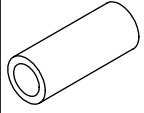
B

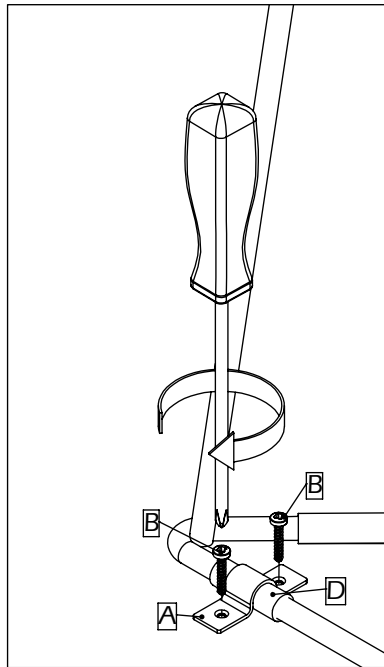
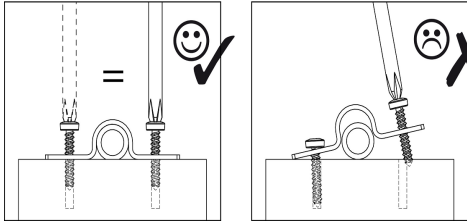
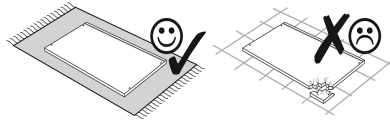


180°

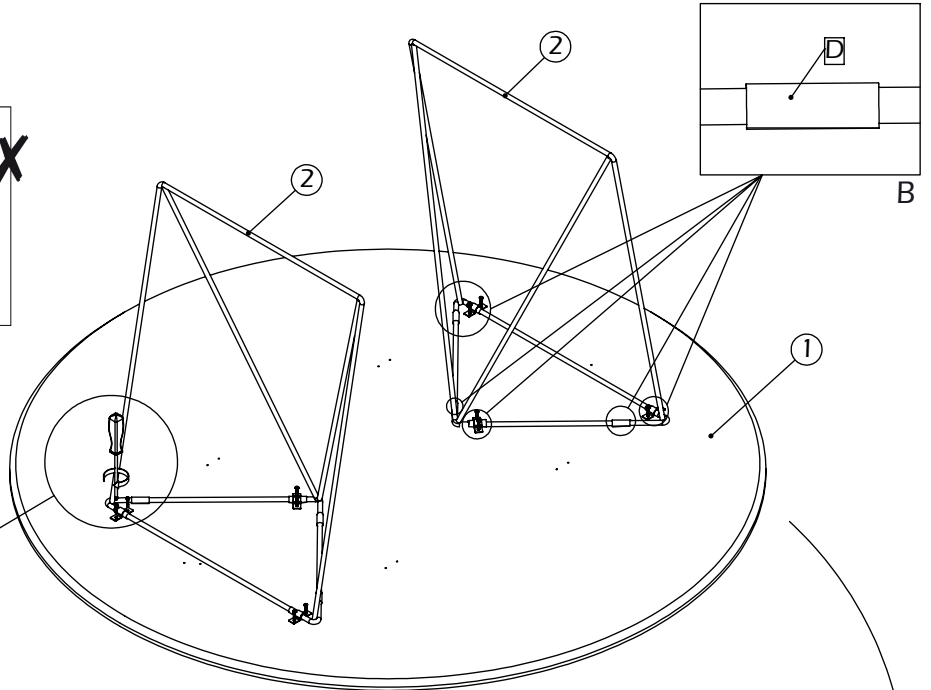


F

x6 	x12 	x12 
A-50x15x2	B-Ø3,5x20	D-Ø14x35



A



180°

