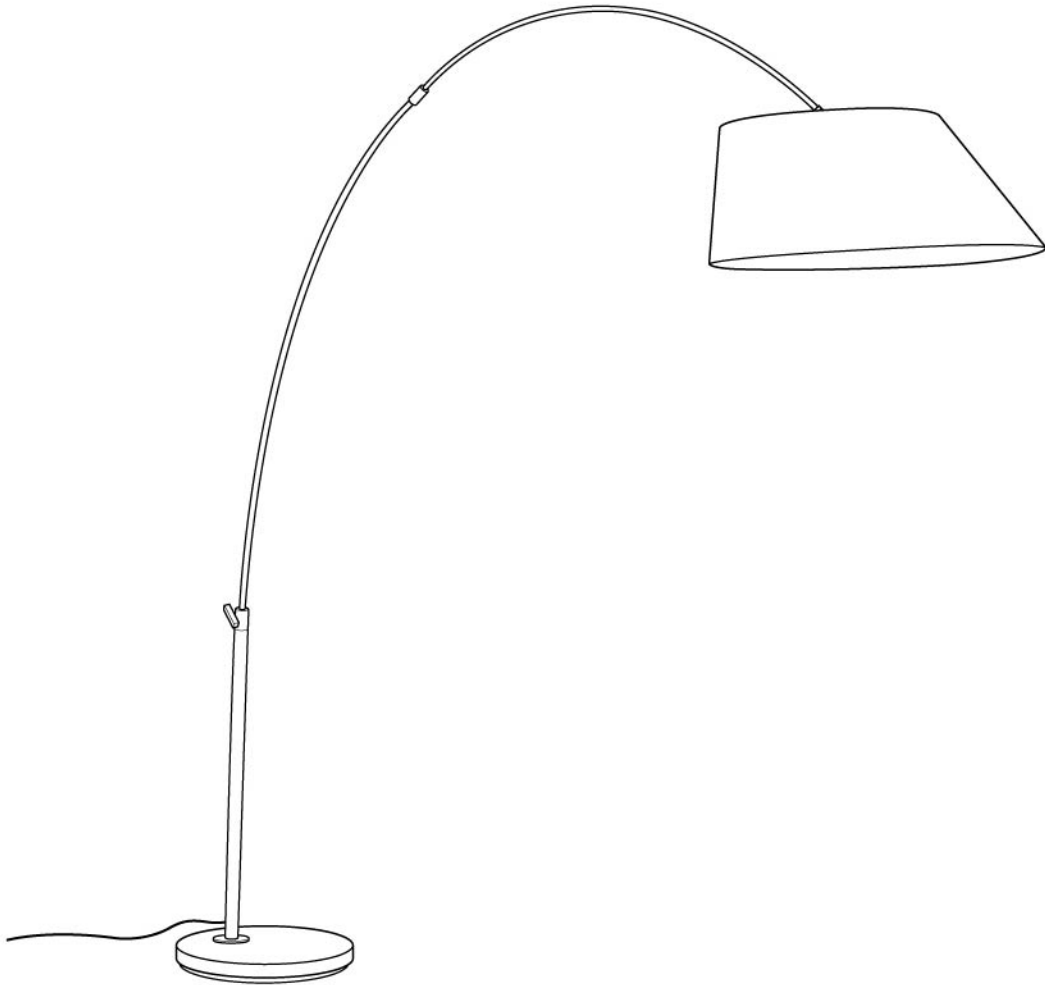
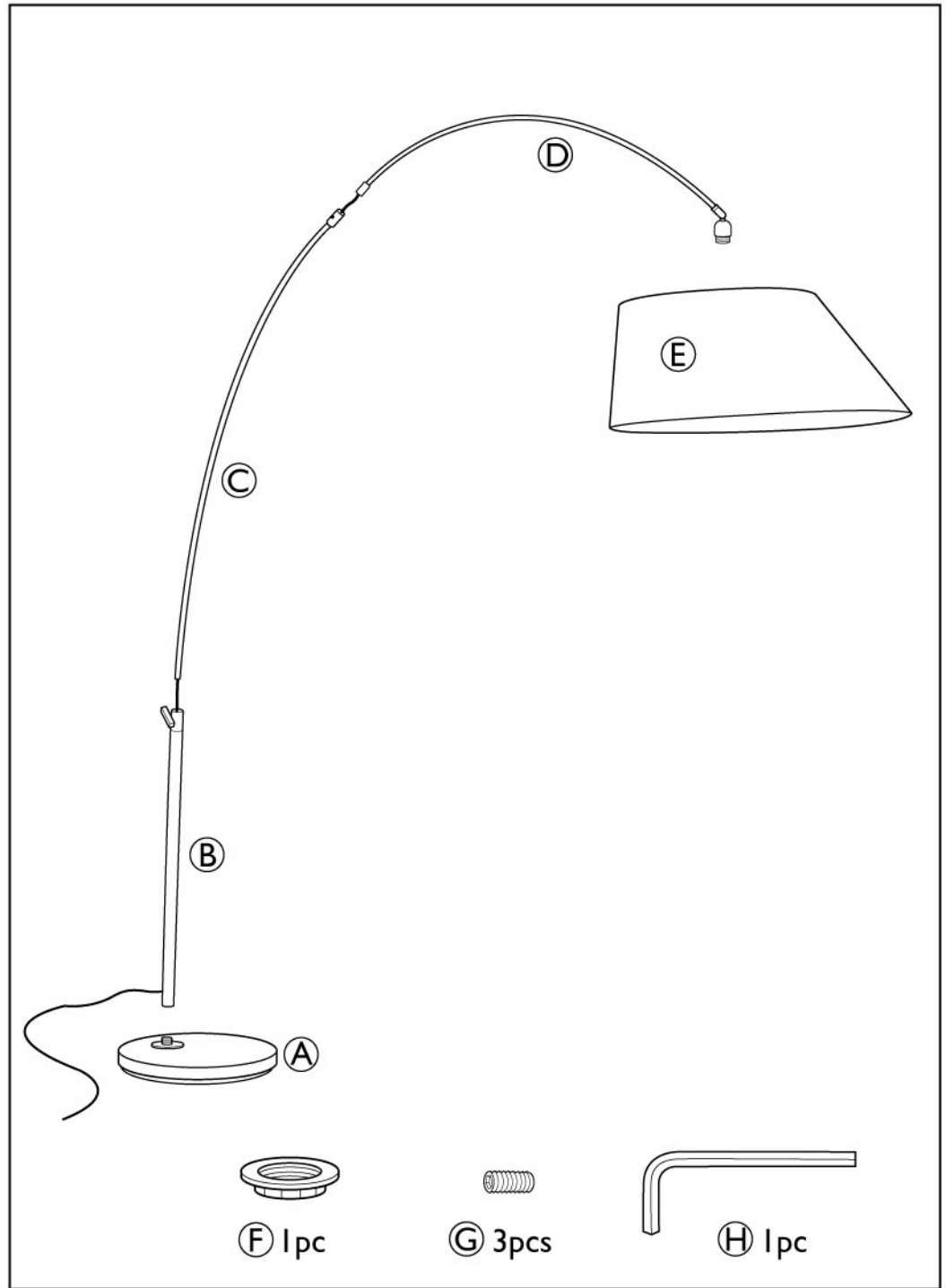


# ASSEMBLY INSTRUCTIONS

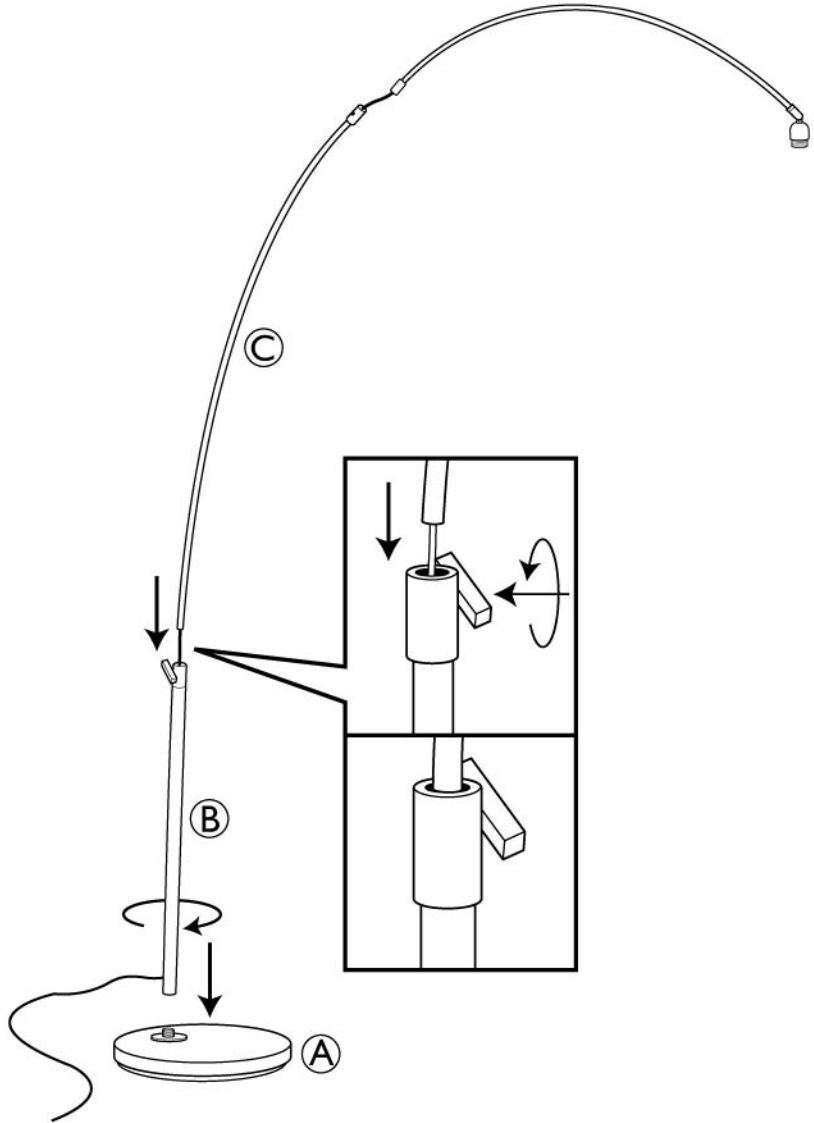
5000855, 5000856, 5000857



**Caution :** If the external flexible cable or cord of this luminaire is damaged, it should be replaced by a qualified person in order to avoid a hazard.



1



2

